



EA-PS 800 19"

- 宽范围输入电压90...264V，带主动式PFC
- 效率：高达 92%
- 输出功率：58W 至240W
- 输出电压：3.3V 至 24V
- 输出电流：2.5A 至 30A
- 单路，双路和三路输出
- 功率受限，所有输出端可输出全功率
- 所有输出端可分开调节和调整
- 有过压保护 (OVP)
- 有过温保护 (OT)
- 远程开/关，电源断电提示信号
- 远程感测功能
- 可选项
 - 电源输出端之间功率共享*
 - 无前面板

- **Wide input voltage range 90...264V with active PFC**
- **High efficiency up to 92%**
- **Output power ratings: 58W up to 240W**
- **Output voltages: 3.3V up to 24V**
- **Output currents: 2.5A up to 30A**
- **Single, double or triple output**
- **Power limited, all outputs for full power**
- **All outputs separately adjustable and regulated**
- **Overvoltage protection (OVP)**
- **Overtemperature protection (OT)**
- **Remote on/off and power fail signal**
- **Remote sense**
- **Options**
 - **Power sharing* between mains outputs**
 - **Without front plate**

概要

EA-PS 800 19"系列有单组，两组和三组输出的不同类型产品。结合同步整流二极管和半谐振变换器，使得其效率高达92%，是极其高效且稳定可靠的产品。

输出

本系列有不同型号，可选择3.3V, 5V, 12V和24V输出电压，80W, 150W和240W输出功率的类型。所有输出端，不管是主输出还是辅助输出，都有静态限流和限功率电路，并能单独稳定，实现真正零负载兼容，具有完全的短路保护和超载保护。通过前板可调电位器可在特定范围内调节所有输出电压，以适应敏感性负载，并经LED灯指示出来。内置OVP保护电流可保护连接负载不因直流过压而受损。

输入

主动式功率因数校正与宽范围的输入电压90V...264V AC (120...360V DC)，使产品在全世界范围内都适用，或者当脱离DC/DC转换器用。

远程感测端

远程感测输入电路为一H15端子，可直接连到负载的输入端，以补偿市电输出线上的压降，确保给敏感性设备供应稳定又精确的电压。

* Power-Sharing-功率共享*功能是在当两台或两台以上的产品并联时，通过将输出电压调整至相同值，使带载电流均衡送出。

General

The models of series EA-PS 800 19" are available as single, dual or triple output power supplies. By combining the synchronised rectifier and semi-resonant converter principle, an efficiency of up to 92% is achieved, making them highly efficient and extremely reliable.

DC output

A selection of output voltages between 3.3V, 5V, 12-15V and 24V at power levels of 80W, 150W and 240W are available. All outputs, main and auxiliary, are provided with a static current limit and a power limit circuit and are stabilised independently, making them truly zero-load compatible, fully short-circuit- and overload-proof. All output voltages can be trimmed within a specific range by potentiometers located in the front panel to accommodate sensitive loads, and are visualised via LEDs. The integrated OVP protects the equipment connected from DC overvoltage damage.

Input

A wide input range of 90V...264V AC (120V...360V DC) with active PFC (power factor correction) makes them suitable for a worldwide usage or as isolated DC/DC converters as well.

Remote sense

The remote sensing circuit located at the H15 connector can be connected to the input terminals of the load in order to compensate the voltage loss across the main output wires, ensuring a stable and precise voltage to sensitive equipment.

* Power sharing is a feature that makes the load current distribute equally when connecting two or multiple units in parallel, by regulating the output voltages to identical values

图1: PS805-150 19" 输出从2.5A至18A的带载变化图。

图2: 主输出的带载台阶描述了它能单独稳定, 且不影响辅助输出。

主输出 /
Main output

输出电流 /
Output current

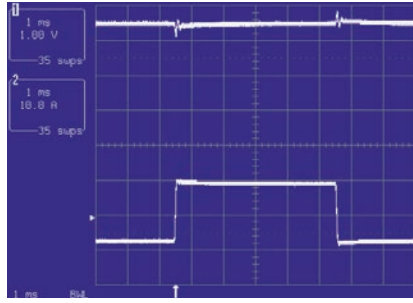


图1 / Figure 1

Figure 1: Load step from 2.5A to 18A at PS805-150 19"

Figure 2: The load step on the main output illustrates the separated stabilisation for the main output which does not affect auxiliary output.

辅助输出 /
Aux. output

主输出 /
Main output

输出电流 /
Output current

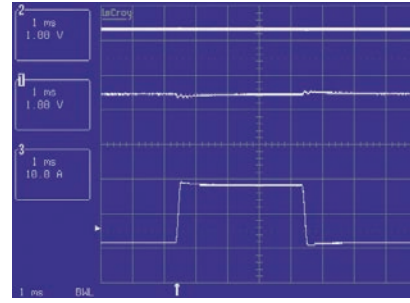


图2 / Figure 2

远距离开/关

此外, 还有一个抑制输入功能, 可以远距离启动或关闭输出, 使产品可应用于如: 自动化系统和/或为了安全目的领域。

可选项

- ASF: 功率共享引脚, 仅针对单路输出产品。利用它可以建立冗余电源系统。
- 按照客户需求可将多个模块并联组合到一完整的19"机架式系统内, 还能组成客户指定的输出版本。

Remote on/off

The inhibit input allows to remotely enable or disable the output, in order to use the device, for example, for automated systems and/or just for safety purposes.

Options

- ASF: additional power sharing pin, only for single output models. It provides the possibility to build up a redundant power system.
- Complete 19" rack systems with parallel redundant modules and custom specific output versions are available upon request.

技术参数	Technical Data	EA-PS 800 19" 80W	EA-PS 800 19" 150W	EA-PS 800 19" 240W
AC输入电压	Input voltage AC	90...264V, 1ph+N	90...264V, 1ph+N	90...264V, 1ph+N
- 频率	- Frequency	45...65Hz	45...65Hz	45...65Hz
DC输入电压	Input voltage DC	90...360V	90...360V	90...360V
功率因数	Power factor	>0.99	>0.99	>0.99
效率	Efficiency	高达 / up to 89%	高达 / up to 91%	高达 / up to 92%
输入浪涌电流限制值	Input surge current limitation	<23A 通过 / by NTC	<23A 通过 / by NTC	<23A 通过 / by NTC
输入尖峰电压限制值	Input voltage spike suppression	通过 / by VDR	通过 / by VDR	通过 / by VDR
滞留时间	Hold-up time	>20ms	>20ms	>20ms
输出功率	Output power	58W ... 96W	87 ... 150W	108 ... 240W
工作温度	Operation temperature	0...70°C	0...70°C	0...70°C
温度 / 输出功率降额	Temperature / Derating			
- 自然对流	- with natural convection	>45°C 2.1W/°C	>45°C 4W/°C	>45°C 6.4W/°C
- 强制风冷 1m/s	- with forced cooling 1m/s	>60°C 4W/°C	>60°C 7.5W/°C	>60°C 12W/°C
储存温度	Storage temperature	-40°C ... +85°C	-40°C ... +85°C	-40°C ... +85°C
相对湿度	Relative humidity	<90%, n.c..	<90%, n.c..	<90%, n.c..
安全标准	Safety	EN 60950, IEC 950	EN 60950, IEC 950	EN 60950, IEC 950
EMI辐射	EMI emission	EN 61000-6-3	EN 61000-6-3	EN 61000-6-3
EMI抗扰度	EMI noise immunity	EN 61000-6-2	EN 61000-6-2	EN 61000-6-2
尺寸 (WxHxD)	Dimensions (WxHxD)	8HP x 3U x 162mm	10HP x 3U x 162mm	12HP x 3U x 162mm
重量	Weight	640g	780g	930g

技术参数	Technical Data	PS 803-80 Single	PS 805-80 Single	PS 812-80 Single	PS 824-80 Single
DC输出电压	Output voltage DC	3.3V (3.0...3.6V)	5V (4.8...5.5V)	12V (11.8...15.2V)	24V (23.5...28.5V)
0...100% I _{out} 负载调整率	Load regulation 0...100% I _{out}	<0.05%	<0.05%	<0.05%	<0.05%
100% I _{out} 线性调整率	Line regulation 100% I _{out}	<0.05%	<0.05%	<0.05%	<0.05%
纹波NF	Ripple LF	<40mV _{pp}	<40mV _{pp}	<40mV _{pp}	<40mV _{pp}
负载从10-100% 调整需时	Regulation time 10-100% load	<0.5ms	<0.5ms	<0.5ms	<0.5ms
OVP 过压保护调节范围	OVP adjustment	3.8...4.5V	6.0...6.7V	16.5...18.0V	29.0...33.0V
输出电流 / 功率	Output current / power	16A / 58W	16A / 80W	7.5A / 90W	4A / 96W
输出电流极限	Output current limit	<19A	<19A	<8.5A	<4.8A
感测端的电压调整	Voltage regulation with sense	0.5V max.			
电源故障信号	Power fail signal	after >5ms / 后指示			
控制输入	Control input	外部开-关 / external on-off			
带ASF信号的均流	Power share with ASF signal	optional / 可选			
产品编号	Article number	08130300	08130301	08130302	08130303

技术参数	Technical Data	PS 805-12-80 Double	PS 805-24-80 Double
DC输出电压	Output voltage DC	5V (4.8...5.5V)	12V (11.8...15.2V)
0...100% I _{out} 负载调整率	Load regulation 0...100% I _{out}	<0.05%	<0.2%
100% I _{out} 线性调整率	Line regulation 100% I _{out}	<0.05%	<0.2%
纹波NF	Ripple LF	<40mV _{pp}	<40mV _{pp}
负载从10-100% 调整需时	Regulation time 10-100% load	<0.5ms	<0.5ms
OVP 过压保护调节范围	OVP adjustment	6.0...6.7V	16.5...18.0V
输出电流 / 功率	Output current / power	16A / 80W	2.5A
输出电流极限	Output current limit	<19A	<3.0A
感测端的电压调整	Voltage regulation with sense	0.5V max.	0.5V max.
电源故障信号	Power fail signal	after >5ms / 后指示	after >5ms / 后指示
控制输入	Control input	外部开-关 / external on-off	外部开-关 / external on-off
带ASF信号的均流	Power share with ASF signal	optional / 可选	optional / 可选
产品编号	Article number	08130304	08130305

技术参数	Technical Data	PS 812-12-80 Double	PS 812-24-80 Double
DC输出电压	Output voltage DC	12V (11.8...15.2V)	24V (23.8...27.2V)
0...100% I _{out} 负载调整率	Load regulation 0...100% I _{out}	<0.05%	<0.2%
100% I _{out} 线性调整率	Line regulation 100% I _{out}	<0.05%	<0.2%
纹波NF	Ripple LF	<40mV _{pp}	<40mV _{pp}
负载从10-100% 调整需时	Regulation time 10-100% load	<0.5ms	<0.5ms
OVP 过压保护调节范围	OVP adjustment	16.5...18.0V	33.0...36.0V
输出电流 / 功率	Output current / power	7.5A / 90W	2.5A
输出电流极限	Output current limit	<8.5A	<3.0A
感测端的电压调整	Voltage regulation with sense	0.5V max.	0.5V max.
电源故障信号	Power fail signal	after >5ms / 后指示	after >5ms / 后指示
控制输入	Control input	外部开-关 / external on-off	外部开-关 / external on-off
带ASF信号的均流	Power share with ASF signal	optional / 可选	optional / 可选
产品编号	Article number	08130306	08130307

技术参数	Technical Data	PS 805-12-12-80 Triple
DC输出电压	Output voltage DC	5V (4.8...5.5V)
0...100% I _{out} 负载调整率	Load regulation 0...100% I _{out}	<0.05%
100% I _{out} 线性调整率	Line regulation 100% I _{out}	<0.05%
纹波NF	Ripple LF	<40mV _{pp}
负载从10-100% 调整需时	Regulation time 10-100% load	<0.5ms
OVP 过压保护调节范围	OVP adjustment	6.0...6.7V
输出电流 / 功率	Output current / power	16A / 80W
输出电流极限	Output current limit	<19A
感测端的电压调整	Voltage regulation with sense	0.5V max.
电源故障信号	Power fail signal	after >5ms / 后指示
控制输入	Control input	外部开-关 / external on-off
带ASF信号的均流	Power share with ASF signal	optional / 可选
产品编号	Article number	08130308

技术参数	Technical Data	PS 803-150 Single	PS 805-150 Single	PS 812-150 Single	PS 824-150 Single
DC输出电压	Output voltage DC	3.3V (3.0...3.6V)	5V (4.8...5.5V)	12V (11.8...15.2V)	24V (23.5...28.5V)
0...100% I _{out} 负载调整率	Load regulation 0...100% I _{out}	<0.05%	<0.05%	<0.05%	<0.05%
100% I _{out} 线性调整率	Line regulation 100% I _{out}	<0.05%	<0.05%	<0.05%	<0.05%
纹波NF	Ripple LF	<40mV _{pp}	<40mV _{pp}	<40mV _{pp}	<40mV _{pp}
负载从10-100% 调整需时	Regulation time 10-100% load	<0.5ms	<0.5ms	<0.5ms	<0.5ms
OVP 过压保护调节范围	OVP adjustment	3.8...4.5V	6.0...6.7V	16.5...18.0V	29.0...33.0V
输出电流 / 功率	Output current / power	24A / 87W	24A / 132W	10.7A / 150W	6.3A / 150W
输出电流极限	Output current limit	<28A	<28A	<12.8A	<7.5A
感测端的电压调整	Voltage regulation with sense	0.5V max.			
电源故障信号	Power fail signal	after >5ms / 后指示			
控制输入	Control input	外部开-关 / external on-off			
带ASF信号的均流	Power share with ASF signal	optional / 可选			
产品编号	Article number	08130309	08130310	08130311	08130312

技术参数	Technical Data	PS 805-12-150 Double	PS 805-24-150 Double
DC输出电压	Output voltage DC	5V (4.8...5.5V)	12V (11.8...15.2V)
0...100% I _{out} 负载调整率	Load regulation 0...100% I _{out}	<0.05%	<0.2%
100% I _{out} 线性调整率	Line regulation 100% I _{out}	<0.05%	<0.2%
纹波NF	Ripple LF	<40mV _{pp}	<40mV _{pp}
负载从10-100% 调整需时	Regulation time 10-100% load	<0.5ms	<0.5ms
OVP 过压保护调节范围	OVP adjustment	6.0...6.7V	16.5...18.0V
输出电流 / 功率	Output current / power	24A / 150W	2.5A
输出电流极限	Output current limit	<28A	<3.0A
感测端的电压调整	Voltage regulation with sense	0.5V max.	
电源故障信号	Power fail signal	after >5ms / 后指示	
控制输入	Control input	外部开-关 / external on-off	
带ASF信号的均流	Power share with ASF signal	optional / 可选	
产品编号	Article number	08130313	08130314

技术参数	Technical Data	PS 812-12-150 Double	PS 812-24-150 Double
DC输出电压	Output voltage DC	12V (11.8...15.2V)	24V (23.8...27.2V)
0...100% I _{out} 负载调整率	Load regulation 0...100% I _{out}	<0.05%	<0.2%
100% I _{out} 线性调整率	Line regulation 100% I _{out}	<0.05%	<0.2%
纹波NF	Ripple LF	<40mV _{pp}	<40mV _{pp}
负载从10-100% 调整需时	Regulation time 10-100% load	<0.5ms	<0.5ms
OVP 过压保护调节范围	OVP adjustment	16.5...18.0V	33.0...36.0V
输出电流 / 功率	Output current / power	10.7A / 150W	2.5A
输出电流极限	Output current limit	<12.8A	<3.0A
感测端的电压调整	Voltage regulation with sense	0.5V max.	
电源故障信号	Power fail signal	after >5ms / 后指示	
控制输入	Control input	外部开-关 / external on-off	
带ASF信号的均流	Power share with ASF signal	optional / 可选	
产品编号	Article number	08130315	08130316

技术参数	Technical Data	PS 805-12-12-150 Triple		
DC输出电压	Output voltage DC	5V (4.8...5.5V) +12V (11.8...15.2V) -12V (11.8...15.2V)		
0...100% I _{out} 负载调整率	Load regulation 0...100% I _{out}	<0.05% <0.2% <0.2%		
100% I _{out} 线性调整率	Line regulation 100% I _{out}	<0.05% <0.2% <0.2%		
纹波NF	Ripple LF	<40mV _{pp} <40mV _{pp} <40mV _{pp}		
负载从10-100% 调整需时	Regulation time 10-100% load	<0.5ms <0.5ms <0.5ms		
OVP 过压保护调节范围	OVP adjustment	6.0...6.7V 16.5...18.0V 16.5...18.0V		
输出电流 / 功率	Output current / power	24A / 150W 2.5A 2.5A		
输出电流极限	Output current limit	<28A <3.0A <3.0A		
感测端的电压调整	Voltage regulation with sense	0.5V max.		
电源故障信号	Power fail signal	after >5ms / 后指示		
控制输入	Control input	外部开-关 / external on-off		
带ASF信号的均流	Power share with ASF signal	optional / 可选		
产品编号	Article number	08130317		

技术参数	Technical Data	PS 803-240 Single	PS 805-240 Single	PS 812-240 Single	PS 824-240 Single
DC输出电压	Output voltage DC	3.3V (3.0...3.6V)	5V (4.8...5.5V)	12V (11.8...15.2V)	24V (23.5...28.5V)
0...100% I _{out} 负载调整率	Load regulation 0...100% I _{out}	<0.05%	<0.05%	<0.05%	<0.05%
100% I _{out} 线性调整率	Line regulation 100% I _{out}	<0.05%	<0.05%	<0.05%	<0.05%
纹波NF	Ripple LF	<40mV _{pp}	<40mV _{pp}	<40mV _{pp}	<40mV _{pp}
负载从10-100% 调整需时	Regulation time 10-100% load	<0.5ms	<0.5ms	<0.5ms	<0.5ms
OVP 过压保护调节范围	OVP adjustment	3.8...4.5V	6.0...6.7V	16.5...18.0V	29.0...33.0V
输出电流 / 功率	Output current / power	30A / 108W	30A / 165W	16A / 240W	10A / 240W
输出电流极限	Output current limit	<36A	<36A	<19.2A	<19.2A
感测端的电压调整	Voltage regulation with sense	0.5V max.			
电源故障信号	Power fail signal	after >5ms / 后指示			
控制输入	Control input	外部开-关 / external on-off			
带ASF信号的均流	Power share with ASF signal	optional / 可选			
产品编号	Article number	08130318	08130319	08130320	08130321

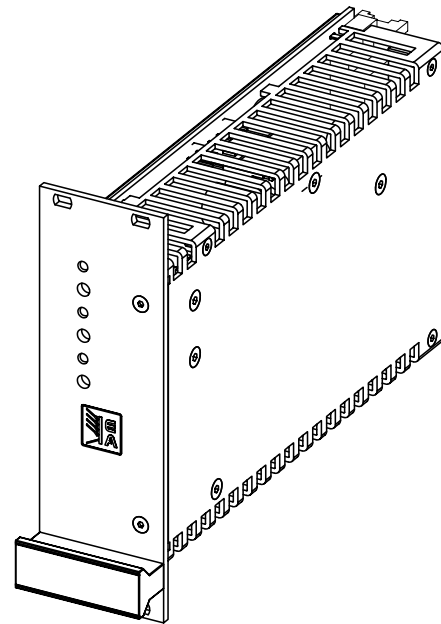
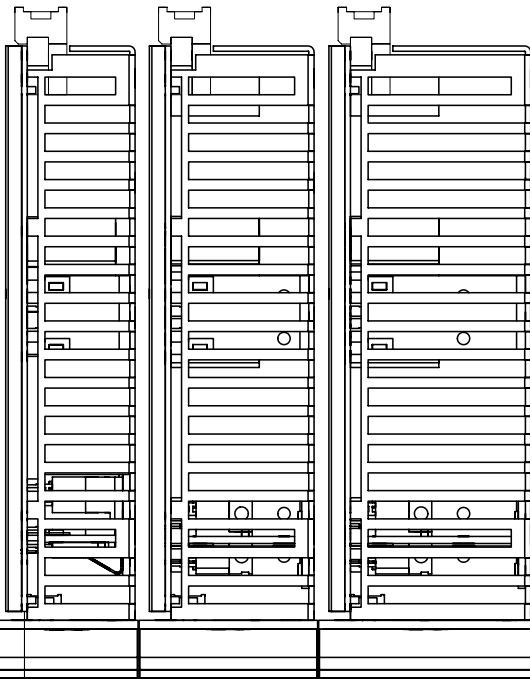
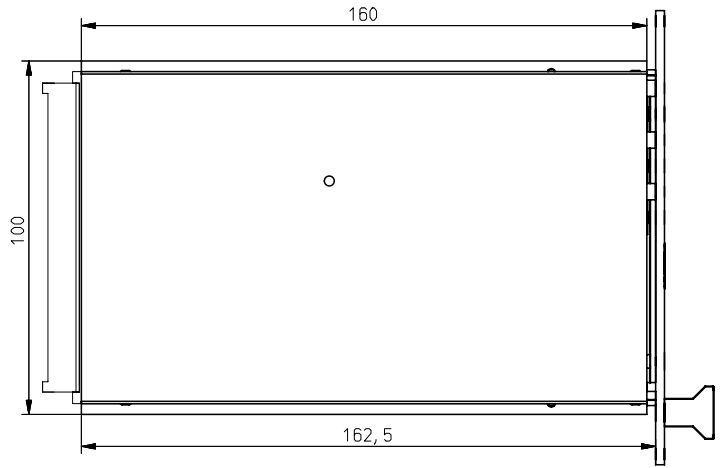
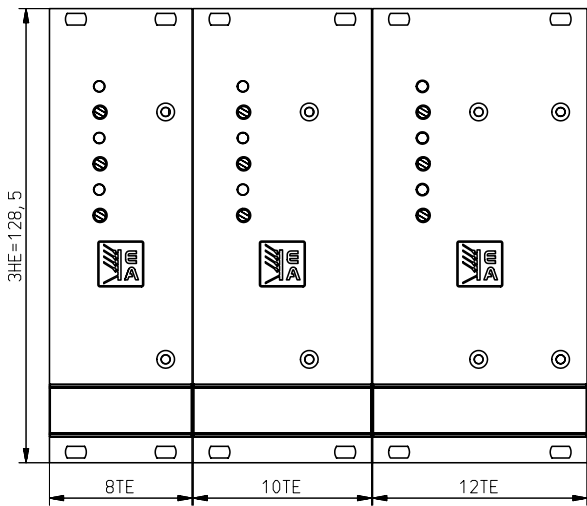
技术参数	Technical Data	PS 805-12-240 Double	PS 805-24-240 Double
DC输出电压	Output voltage DC	5V (4.8...5.5V)	12V (11.8...15.2V)
0...100% I _{out} 负载调整率	Load regulation 0...100% I _{out}	<0.05%	<0.2%
100% I _{out} 线性调整率	Line regulation 100% I _{out}	<0.05%	<0.2%
纹波NF	Ripple LF	<40mV _{pp}	<40mV _{pp}
负载从10-100% 调整需时	Regulation time 10-100% load	<0.5ms	<0.5ms
OVP 过压保护调节范围	OVP adjustment	6.0...6.7V	16.5...18.0V
输出电流 / 功率	Output current / power	30A / 195W	2.5A
输出电流极限	Output current limit	<36A	<3.0A
感测端的电压调整	Voltage regulation with sense	0.5V max.	0.5V max.
电源故障信号	Power fail signal	after >5ms / 后指示	after >5ms / 后指示
控制输入	Control input	外部开-关 / external on-off	外部开-关 / external on-off
带ASF信号的均流	Power share with ASF signal	optional / 可选	optional / 可选
产品编号	Article number	08130322	08130323

技术参数	Technical Data	PS 812-12-240 Double	PS 812-24-240 Double
DC输出电压	Output voltage DC	12V (11.8...15.2V)	24V (23.8...27.2V)
0...100% I _{out} 负载调整率	Load regulation 0...100% I _{out}	<0.05%	<0.2%
100% I _{out} 线性调整率	Line regulation 100% I _{out}	<0.05%	<0.2%
纹波NF	Ripple LF	<40mV _{pp}	<40mV _{pp}
负载从10-100% 调整需时	Regulation time 10-100% load	<0.5ms	<0.5ms
OVP 过压保护调节范围	OVP adjustment	16.5...18.0V	33.0...36.0V
输出电流 / 功率	Output current / power	16A / 240W	2.5A
输出电流极限	Output current limit	<19.2A	<3.0A
感测端的电压调整	Voltage regulation with sense	0.5V max.	0.5V max.
电源故障信号	Power fail signal	after >5ms / 后指示	after >5ms / 后指示
控制输入	Control input	外部开-关 / external on-off	外部开-关 / external on-off
带ASF信号的均流	Power share with ASF signal	optional / 可选	optional / 可选
产品编号	Article number	08130324	08130325

技术参数	Technical Data	PS 805-12-12-240 Triple
DC输出电压	Output voltage DC	5V (4.8...5.5V)
0...100% I _{out} 负载调整率	Load regulation 0...100% I _{out}	<0.05%
100% I _{out} 线性调整率	Line regulation 100% I _{out}	<0.05%
纹波NF	Ripple LF	<40mV _{pp}
负载从10-100% 调整需时	Regulation time 10-100% load	<0.5ms
OVP 过压保护调节范围	OVP adjustment	6.0...6.7V
输出电流 / 功率	Output current / power	30A / 225W
输出电流极限	Output current limit	<36A
感测端的电压调整	Voltage regulation with sense	0.5V max.
电源故障信号	Power fail signal	after >5ms / 后指示
控制输入	Control input	外部开-关 / external on-off
带ASF信号的均流	Power share with ASF signal	optional / 可选
产品编号	Article number	08130326

EA-PS 800 19" 80W - 240W

19" (盒式) 插拔式直流电源 / 19" PLUG-IN DC POWER SUPPLIES AS EURO CASSETTE



8,35

H15连接器	引脚	H15连接器脚位分布说明 / Connector H15 pin layout		
Connector H15	Pin	PS 800 19" Single	PS 800 19" Double	PS 800 19" Triple
	4	+V1	+V1	+V1
	6	+V1	+V1	+V1
	8	GND V1	GND V1	GND V1
	10	GND V1	GND V1	GND V1
	12	+Sense	+Sense	+Sense
	14	-Sense	-Sense	-Sense
	16	Power fail	Power fail	Power fail
	18	---	+V2	+V2
	20	--- (optional ASF*)	GND V2	GND V2 / V3
	22	---	---	-V3
	24	Extern On/Off	Extern On/Off / ASF*	Extern On/Off / ASF*
	26	---	---	---
	28	N	N	N
	30	L	L	L
32	PE	PE	PE	

* ASF = 可选功率均衡特征 / optional power sharing feature